

Characteristics
Output Power, 8W
Fiber Coupling 105μm
Fiber Core Dia. 0.22NA
Application
Laer pumping
Medical application

Parameter		Symbol	Typical	Unit
Optical	CW Out Power	P_{op}	8	W
	Center Wavelength	λ	793±3	nm
	Spectral Width (90% of Power)	$\Delta\lambda$	<3.0	nm
	Wavelength Shift width Temperature	$\Delta\lambda/\Delta T$	0.3	nm / °C
Electrical	Threshold Current	I_{th}	0.5	A
	Operating current	I_{op}	2.7	A
	Operating Voltage	V_{op}	6.8	V
	Slop Efficiency	η_{es}	3.6	W / A
	Power Conversion Efficiency	η_{ep}	44	%
Fiber	Fiber Core Diameter	d_{core}	105	μm
	Fiber Cladding Diameter	d_{clad}	125	μm
	Fiber Buffer Diameter	d_{buffer}	250	μm
	Numerical Aperture	NA	0.22	-
	Fiber Length	L	1.0	m

Changchun New Industries Optoelectronics Tech. Co., Ltd
<http://www.cnilaser.com>

◆ CONTACT

No.888, Jinhua Road, High-tech zone, Changchun
 130103, China

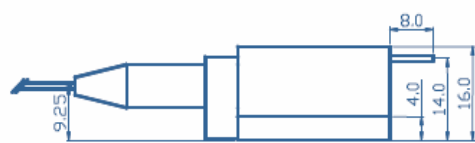
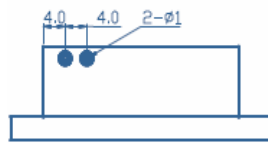
Phone: 0086-431-87033597

Fax: 0086-431-87033597

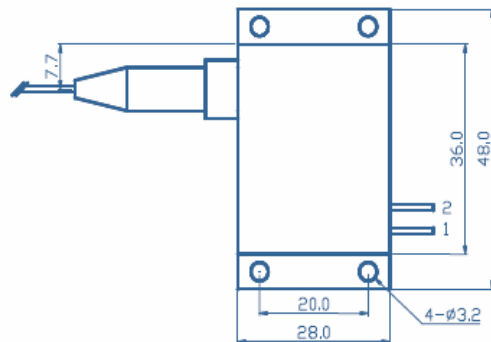
Other Parameters

Parameter	Operating Temperature/°C	Operating Relative Humidity/%	Storage Temperature/°C	Storage Relative Humidity/%	Lead Soldering Temperature, 10s max/°C
Min	10	-	-20	-	-
Max	40	75	80	90	250

Package Dimensions (mm)



Pin	Function
1	Laser(+)
2	Laser(-)



Changchun New Industries Optoelectronics Tech. Co., Ltd
<http://www.cnilaser.com>

◆ CONTACT

No.888, Jinhu Road, High-tech zone, Changchun
 130103, China

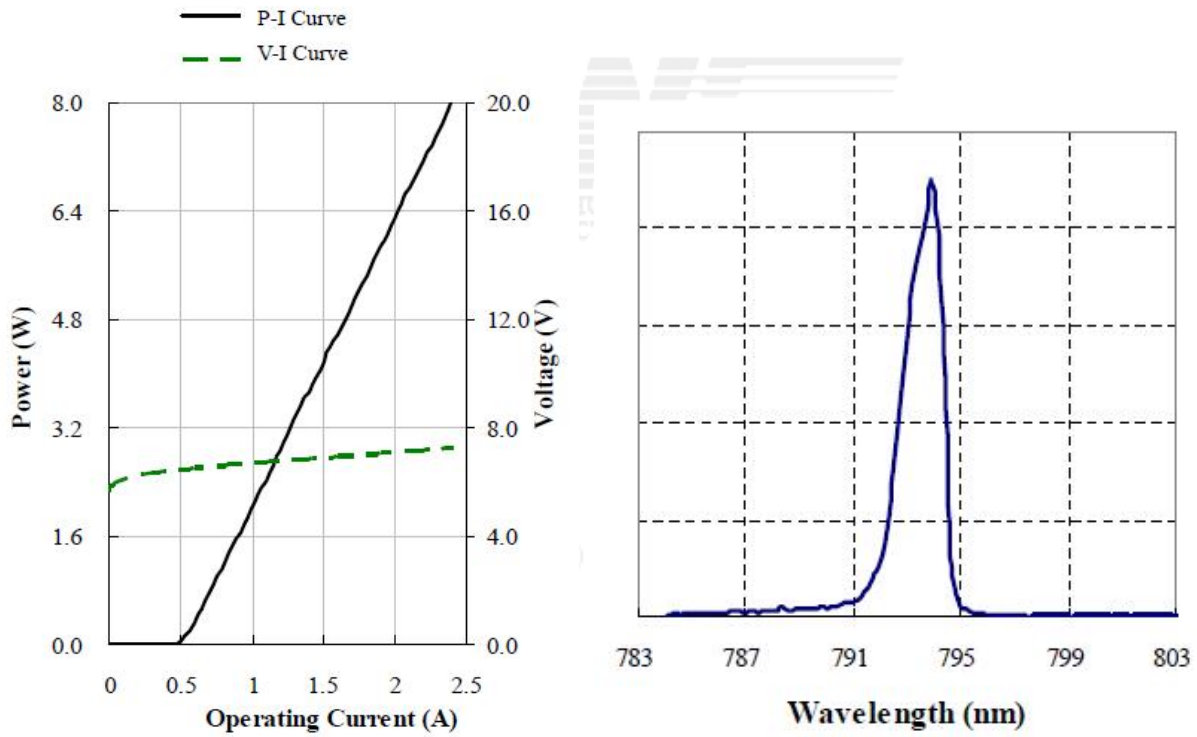
Phone: 0086-431-87033597

Fax: 0086-431-87033597





793nm Diode Laser Characteristics (25°C)



Changchun New Industries Optoelectronics Tech. Co., Ltd

<http://www.cnilaser.com>

◆ CONTACT

No.888, Jinhua Road, High-tech zone, Changchun
130103, China

Phone: 0086-431-87033597

Fax: 0086-431-87033597

