

Characteristics
Output Power 25W
Wavelength: 976nm
Fiber Coupling 105μm
Fiber Core Dia. 0.22NA
Fiber laser feedback protection
Applications
Fiber laser pumping, Medical use, Material processing

Parameter		Symbol	Typical	Unit
Optical	CW Out Power	$P_{op}$	25	W
	Center Wavelength	$\lambda$	976±3	nm
	Spectral Width (90% of Power)	$\Delta\lambda$	<6.0	nm
	Wavelength Shift width Temperature	$\Delta\lambda/\Delta T$	0.35	nm / °C
Electrical	Threshold Current	$I_{th}$	0.6	A
	Operating current	$I_{op}$	9.5	A
	Operating Voltage	$V_{op}$	5.4	V
	Slop Efficiency	$\eta_{es}$	2.5	W / A
	Power Conversion Efficiency	$\eta_{ep}$	50	%
Fiber	Fiber Core Diameter	$d_{core}$	105	μm
	Fiber Cladding Diameter	$d_{clad}$	125	μm
	Numerical Aperture	NA	0.22	-
	Connector	-	SMA905	-

Changchun New Industries Optoelectronics Tech. Co., Ltd

<http://www.cnilaser.com>

◆ CONTACT

No.888, Jinhua Road, High-tech zone, Changchun  
130103, China

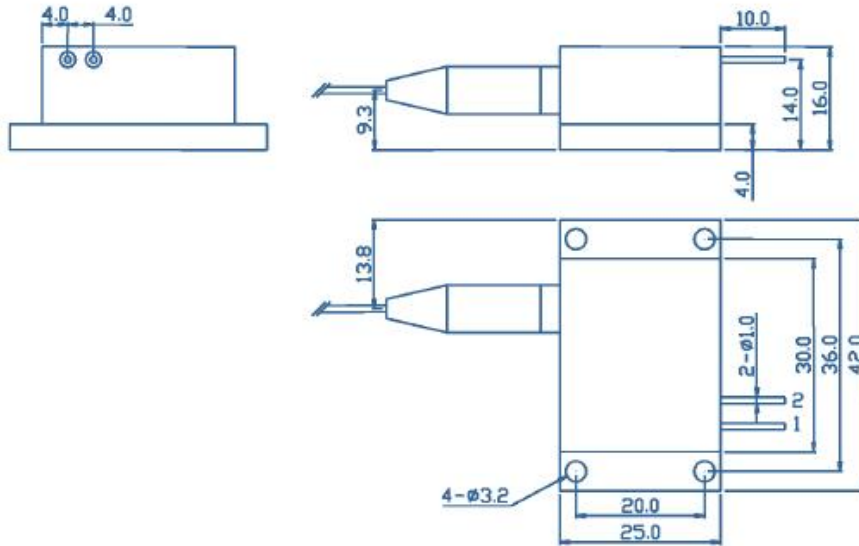
Phone: 0086-431-87033597

Fax: 0086-431-87033597

## Other Parameters

Parameter	Operating Temperature/°C	Operating Relative Humidity/%	Storage Temperature/°C	Storage Relative Humidity/%	Lead Soldering Temperature, 10s max/°C
Min	10	-	-20	-	-
Max	40	75	80	90	250

## Package Dimensions (mm)



Pins and Functions			
Pin	Function	Pin	Function
1	LD(+)	2	LD(-)



Changchun New Industries Optoelectronics Tech. Co., Ltd  
<http://www.cnilaser.com>

### ◆ CONTACT

No.888, Jinhu Road, High-tech zone, Changchun  
130103, China

Phone: 0086-431-87033597

Fax: 0086-431-87033597